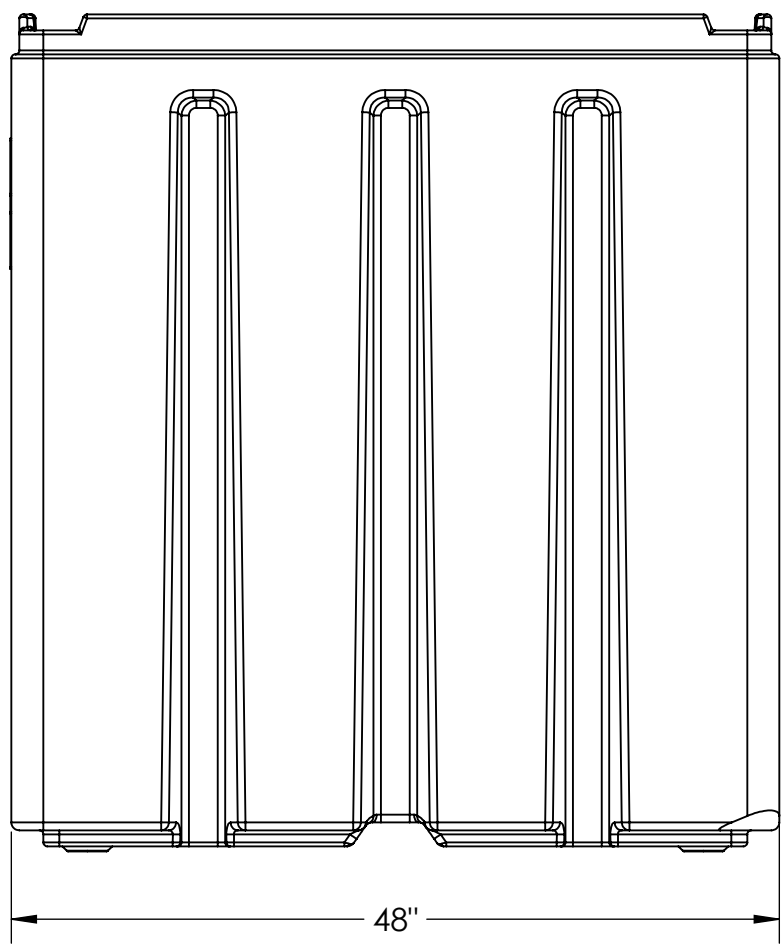
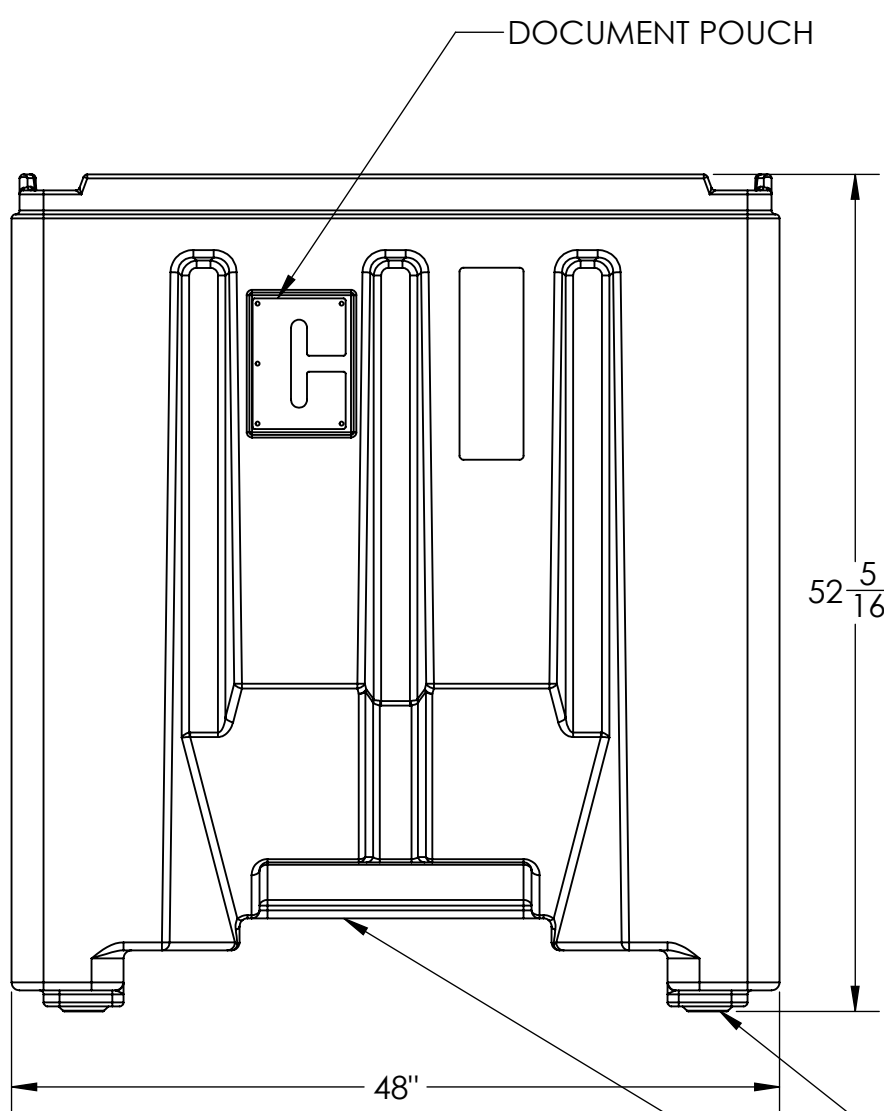


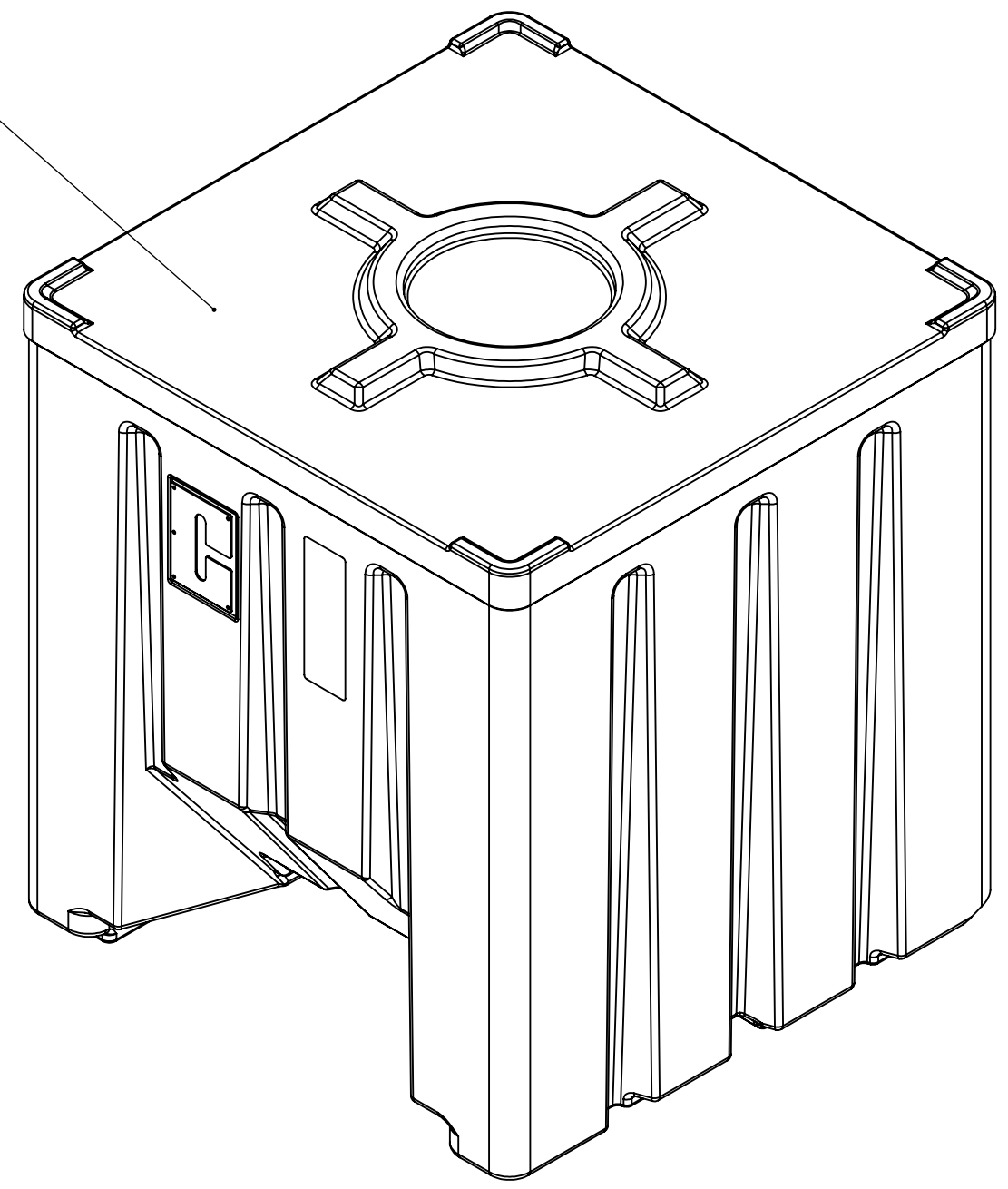
8 7 6 5 4 3 2 1

D
C
B
A

D
C
B
A



STANDARD LID



X4 WEAR PADS

STANDARD COMPOSITE SLIDE GATE

UNLESS OTHERWISE SPECIFIED:
DIMENSIONS ARE IN INCHES
TOLERANCES:
LINEAR ± 0.01 IN/IN
WARP ± 0.02 IN/IN
RADI ± 15%
ANGULAR ± 4.0°
WALL THICK ± 20%

INTERPRET GEOMETRIC TOLERANCING PER:
MATERIAL
FINISH
DO NOT SCALE DRAWING

NAME	DATE
BWK	2/8/17
DRAWN	
CHECKED	
ENG APPR.	
MFG APPR.	
Q.A.	
COMMENTS:	

SmaK PLASTICS INC

TITLE:
ONE PIECE HOPPER - 12" DISCHARGE

SIZE	DWG. NO.	REV
B	10506-001	C

SCALE: 1:1 WEIGHT: SHEET 1 OF 1

PROPRIETARY AND CONFIDENTIAL
THE INFORMATION CONTAINED IN THIS DRAWING IS THE SOLE PROPERTY OF SmaK PLASTICS INC. ANY REPRODUCTION IN PART OR AS A WHOLE WITHOUT THE WRITTEN PERMISSION OF SmaK PLASTICS INC IS PROHIBITED.

8 7 6 5 4 3 2 1