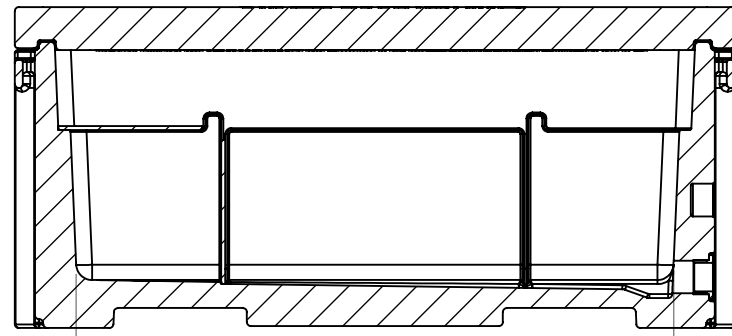
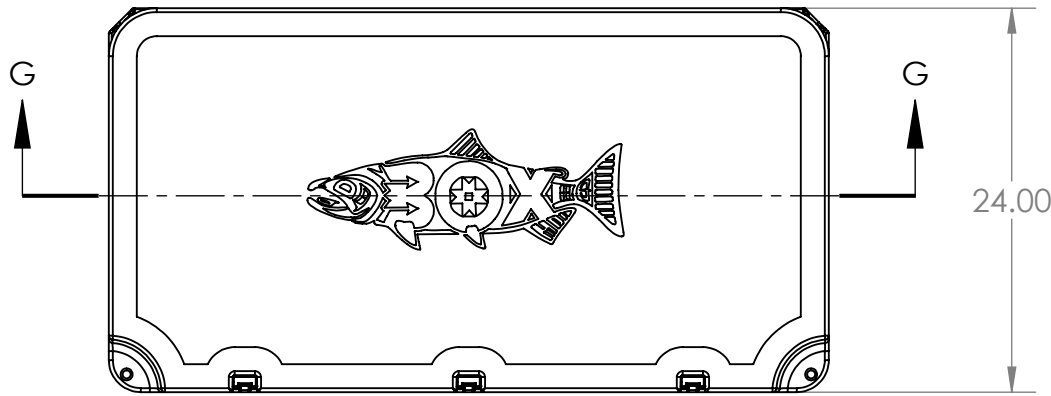


8 7 6 5 4 3 2 1

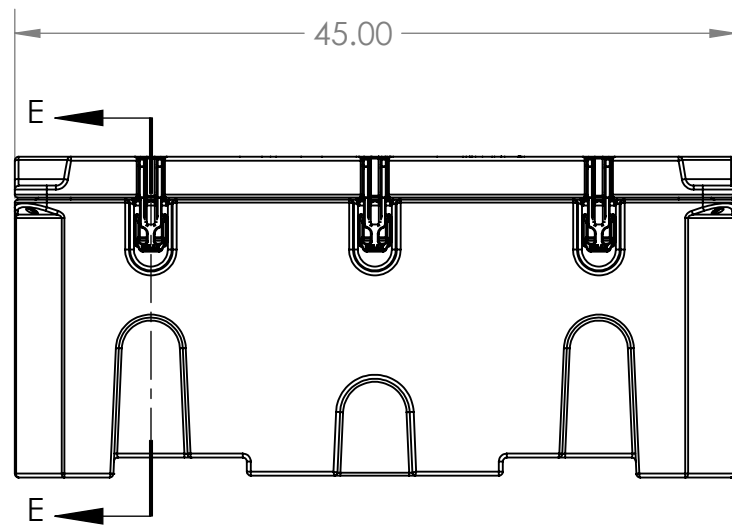


(37.34)

SECTION G-G

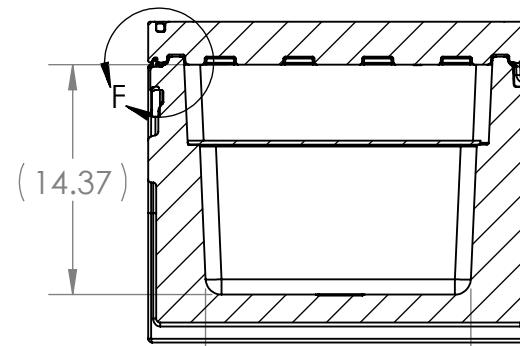
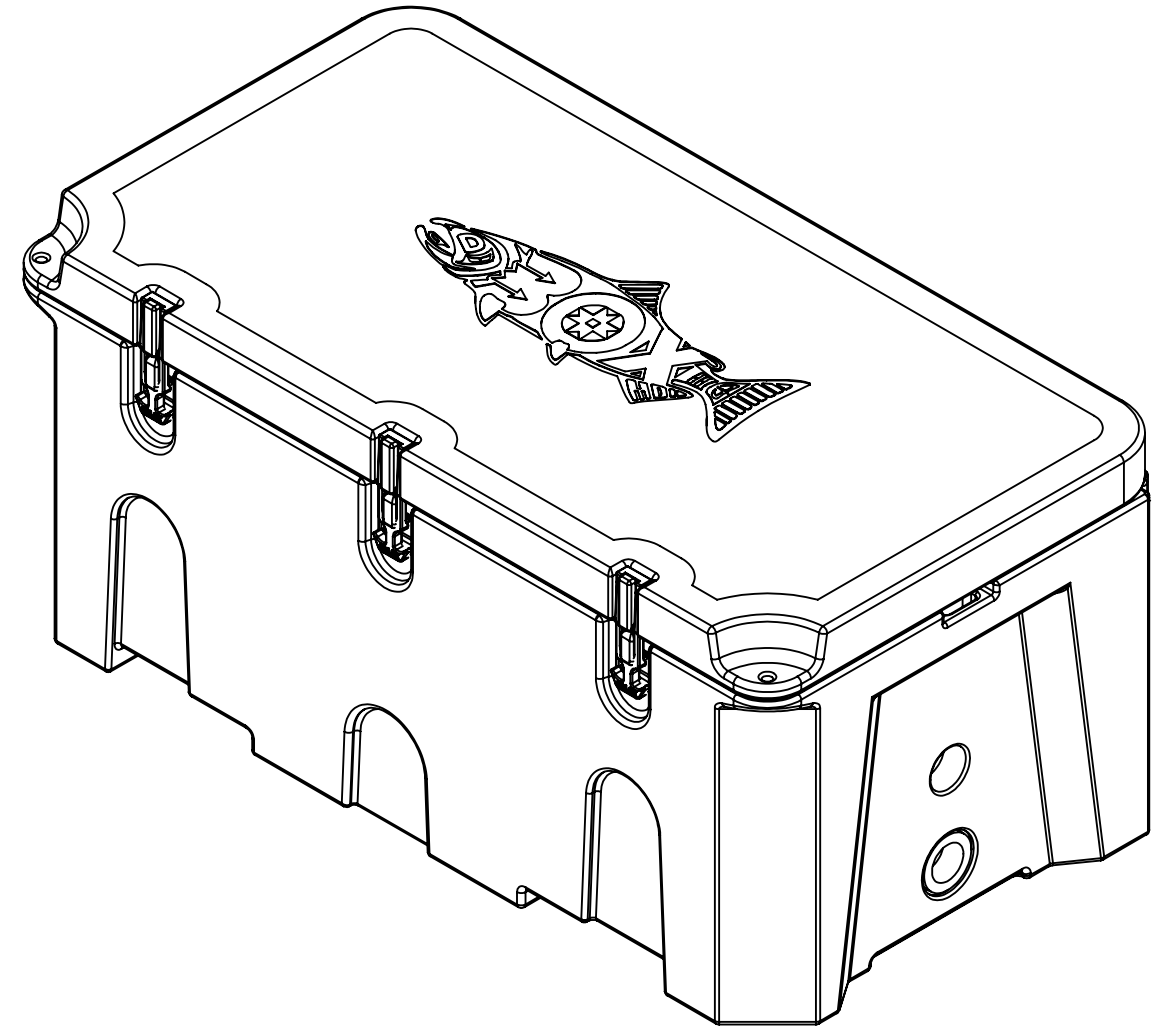


24.00



45.00

20.06



(14.37)

SECTION E-E

(16.58)

NOTE:
1. ID DIMENSIONS ARE APPROXIMATE

PROPRIETARY AND CONFIDENTIAL
THE INFORMATION CONTAINED IN THIS DRAWING IS THE SOLE PROPERTY OF SmaK PLASTICS INC. ANY REPRODUCTION IN PART OR AS A WHOLE WITHOUT THE WRITTEN PERMISSION OF SmaK PLASTICS INC IS PROHIBITED.

UNLESS OTHERWISE SPECIFIED:

DIMENSIONS ARE IN INCHES

TOLERANCES:

LINEAR ± 0.01 IN/IN

WARP ± 0.02 IN/IN

RADI ± 15%

ANGULAR ± 4.0°

WALL THICK ± 20%

INTERPRET GEOMETRIC TOLERANCING PER:

MATERIAL

FINISH

SMOOTH

DO NOT SCALE DRAWING

NAME	DATE
BWK	6/12/18
DRAWN	
CHECKED	
ENG APPR.	
MFG APPR.	
Q.A.	
COMMENTS:	

SmaK PLASTICS INC

TITLE:

165 FISH BOX

SIZE	DWG. NO.	REV
B		A

SCALE: 1:12 WEIGHT: SHEET 1 OF 1

8 7 6 5 4 3 2 1